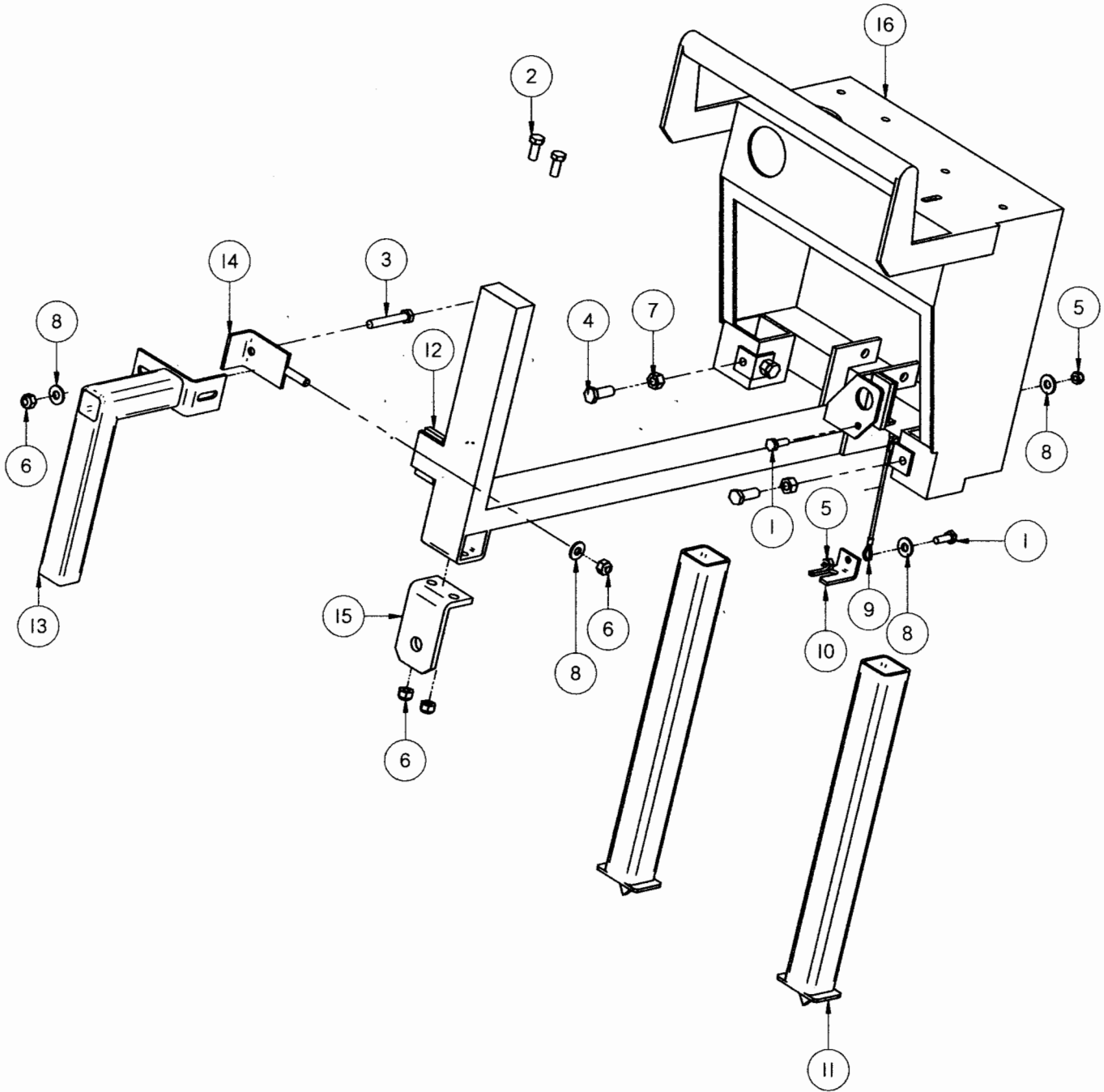


8" DRILL DEPTH FRAME ASSEMBLY

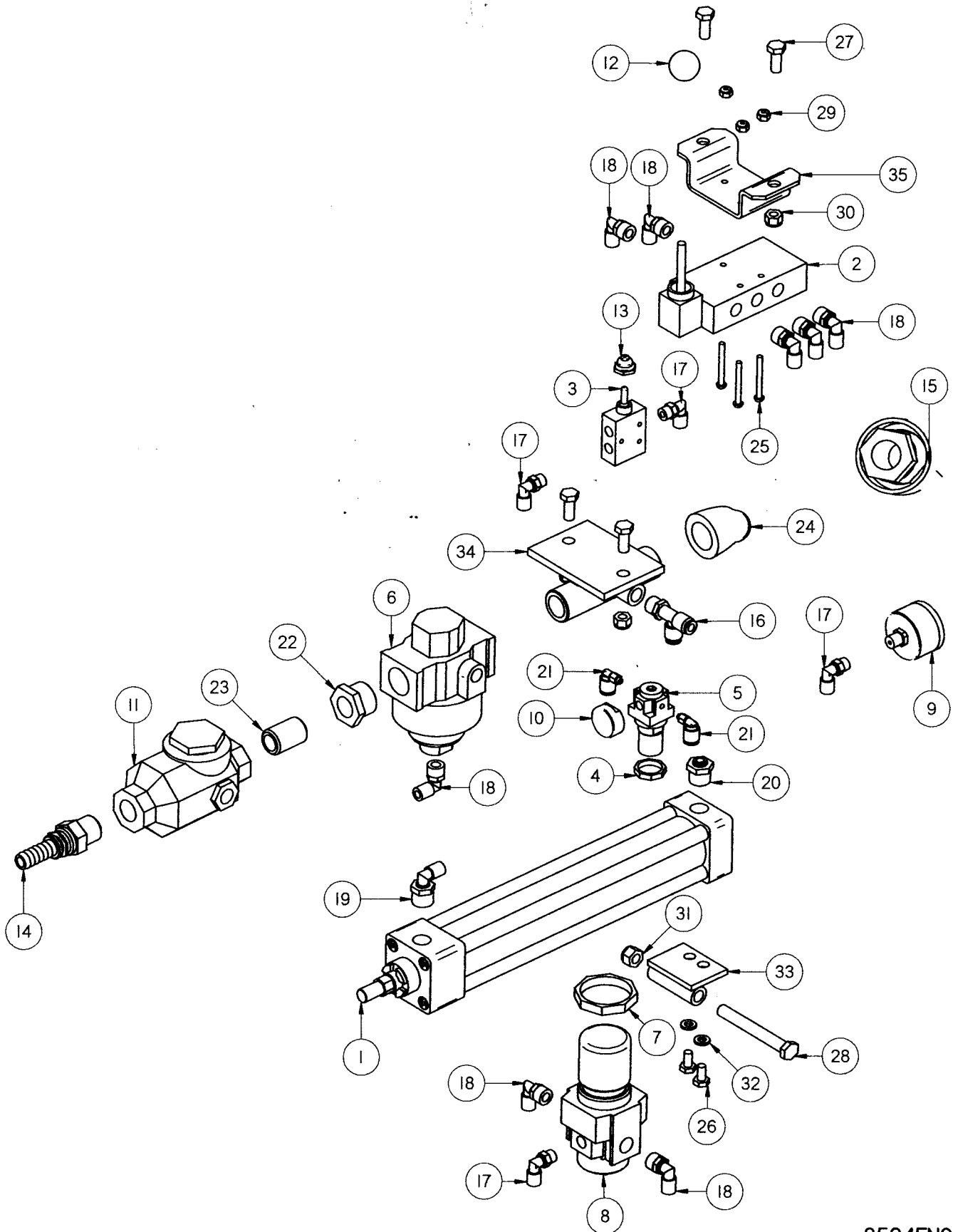


NOTICE: BE SURE TO SPECIFY THE SIZE OF BIT GUIDE 1/2", 5/8", 3/4", 7/8", 1"

8" DRILL DEPTH FRAME ASSEMBLY

Item Number	File Name	Quantity	Description
1	250IBLT.par	2	1/4" X 3/4" BOLT
2	2519BLT.par	2	5/16" X 3/4" BOLT
3	2530BLT.par	1	5/16" X 2" BOLT
4*	2538BLT.par	4	3/8" X 1" BOLT
5	2716NUT.par	2	1/4" NYLON LOCK NUT
6	2719NUT.par	4	5/16" NYLON LOCK NUT
7*	2725NUT.par	4	3/8" STANDARD NUT
8	280IWAS.par	4	1/4" FLAT WASHER
9	3030PIN.par	1	6" LANYARD WITH LOOPS
10*	CRA0229.par	1	MOD 65 CARRIAGE LOCK
11	MFA0603.par	2	REAR LEG
12*	MFA0627.par	2	STOP PAD MOD. 65
13	MFA0636.par	1	FRONT STABILIZER BAR
14	MFA0638.par	1	STABILIZER BAR CLAMP
15*	MFA0639.par	1	BIT GUIDE FOR MOD. 65 1/2" - 1"
16	MNF0505.par	1	MODEL 65 8" DRILL DEPTH FRAME

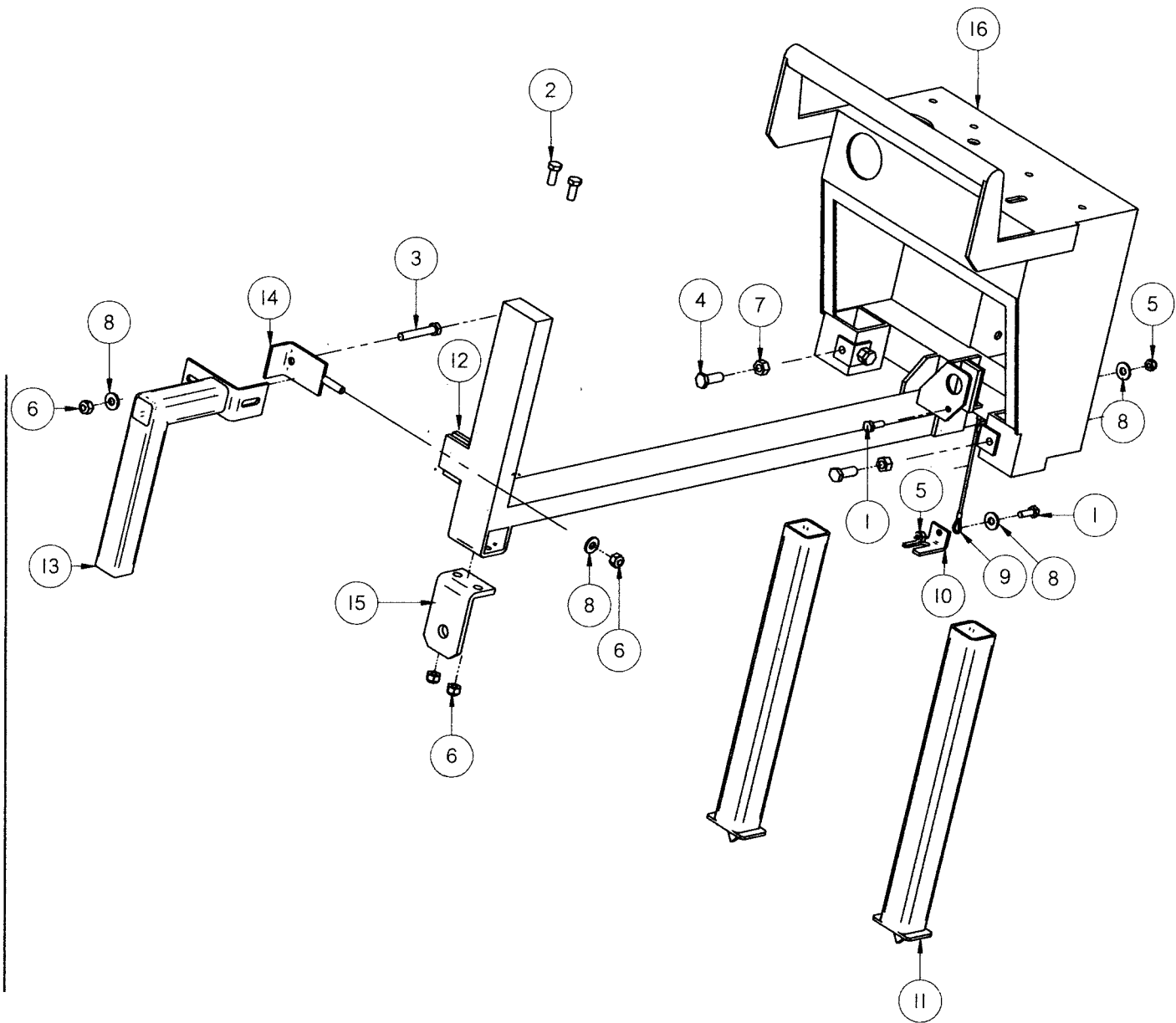
8" DRILL DEPTH CONTROL PANEL ASSEMBLY



8" DRILL DEPTH CONTROL PANEL ASSEMBLY

Item Number	File Name	Quantity	Description
1	05090CYL.asm	1	1 1/2" X 9" CYLINDER
2	060102VAL.par	1	3 WAY POSITION VALVE WITH KNOB
3	06095VAL.par	1	TOGGLE SWITCH
4*	08108REG.par	1	LOCK RING FOR 08108REG
5*	08108REG.par	1	REGULATOR WITH 0-125 MAX PSI
6	08113REG.par	1	3/4" REGULATOR
7	0899REG.par	1	LOCK RING
8	0899REG.par	1	REGULATOR WITH LOCK RING
9	09022GAU.par	1	GAUGE 0-60 1/8" MPT
10*	09024GAU.par	1	GAUGE 0-150 MAX PSI
11	16020IL.par	1	1/2" X 1/2 PINT OILER
12	17420IRPT.par	1	KNOB
13	1828GRO.par	1	RED BOOT FOR 06095VAL
14	2002FIT.par	1	1/2" HOSE SWIVEL
15	20090FIT.asm	1	3/4" AUTO LOCKING QUICK COUPLING
16	2035FIT.par	1	1/4" X 1/4" MALE RUN T
17	2050FIT.par	4	1/4" TO 1/8" 90 DEG. FITTING
18	2051FIT.par	8	1/4" TO 1/4" 90 DEG. FITTING
19	2052FIT.par	1	1/4" TO 3/8" 90 DEG. FITTING
20	2068FIT.par	1	1/4" TO 3/8" MALE CONN. FITTING
21	20754FIT.par	2	1/4" to 10/32" 90 DEG. FITTING
22	20770PFT.par	1	3/4" X 1/2" BUSHING
23	2111PFT.par	1	1/2" X 1" NIPPLE
24	2148PFT.par	1	3/4" 45 DEG. STREET ELL
25*	2478BLT.par	3	8/32" X 1 1/2" BOLT
26	2502BLT.par	2	1/4" X 1/2" BOLT
27	2519BLT.par	4	5/16" X 3/4" BOLT
28	2547BLT.par	1	3/8" X 3" BOLT
29	2712NUT.par	3	8/32" NYLON LOCK NUT
30	2719NUT.par	3	5/16" NYLON LOCK NUT
31*	2727NUT.par	1	3/8" LOCKNUT
32	2802WAS.par	2	1/4" LOCK WASHER
33	MFA06371.par	1	REAR CYLINDER BRACKET
34	MFA0677.par	1	MANIFOLD
35	SRUI3460.psm	1	VALVE SPACER

12" DRILL DEPTH FRAME ASSEMBLY

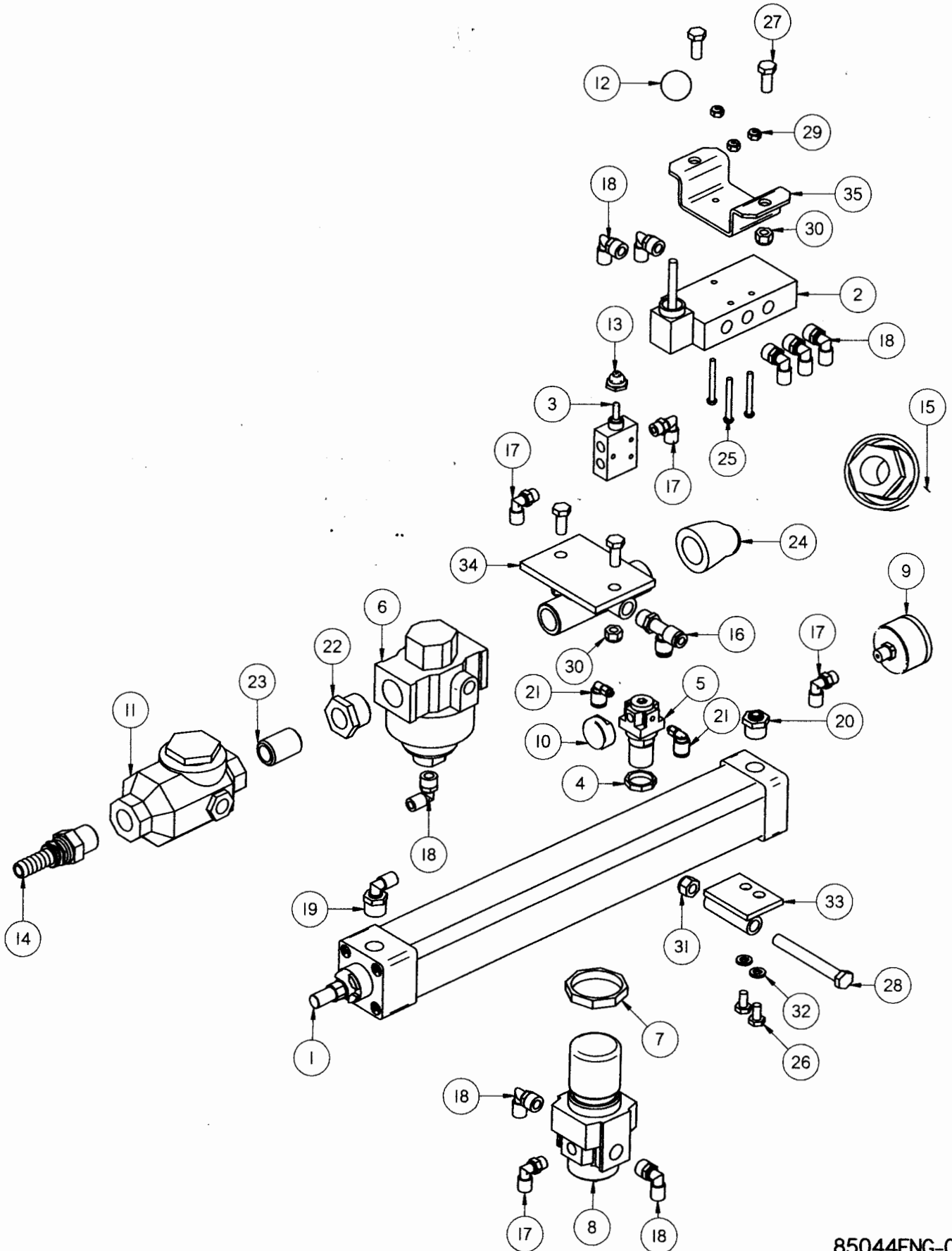


NOTICE: BE SURE TO SPECIFY THE SIZE OF BIT GUIDE 1/2", 5/8", 3/4", 7/8", 1"

12" DRILL DEPTH FRAME ASSEMBLY

Item Number	File Name	Quantity	Description
1	2501BLT.par	2	1/4" X 3/4" BOLT
2	2519BLT.par	2	5/16" X 3/4" BOLT
3	2530BLT.par	1	5/16" X 2" BOLT
4*	2538BLT.par	4	3/8" X 1" BOLT
5	2716NUT.par	2	1/4" NYLON LOCK NUT
6	2719NUT.par	4	5/16" NYLON LOCK NUT
7*	2725NUT.par	4	3/8" STANDARD NUT
8	2801WAS.par	4	1/4" FLAT WASHER
9	3030PIN.par	1	6" LANYARD WITH LOOPS
10	CRA0229.par	1	MOD 65 CARRIAGE LOCK
11	MFA0603.par	2	REAR LEG
12*	MFA0627.par	2	STOP PAD MOD. 65
13	MFA0636.par	1	FRONT STABILIZER BAR
14	MFA0638.par	1	STABILIZER BAR CLAMP
15*	MFA0639.par	1	BIT GUIDE FOR MOD. 65 1/2" - 1"
16	MNF0506.par	1	MODEL 65 12" DRILL DEPTH FRAME

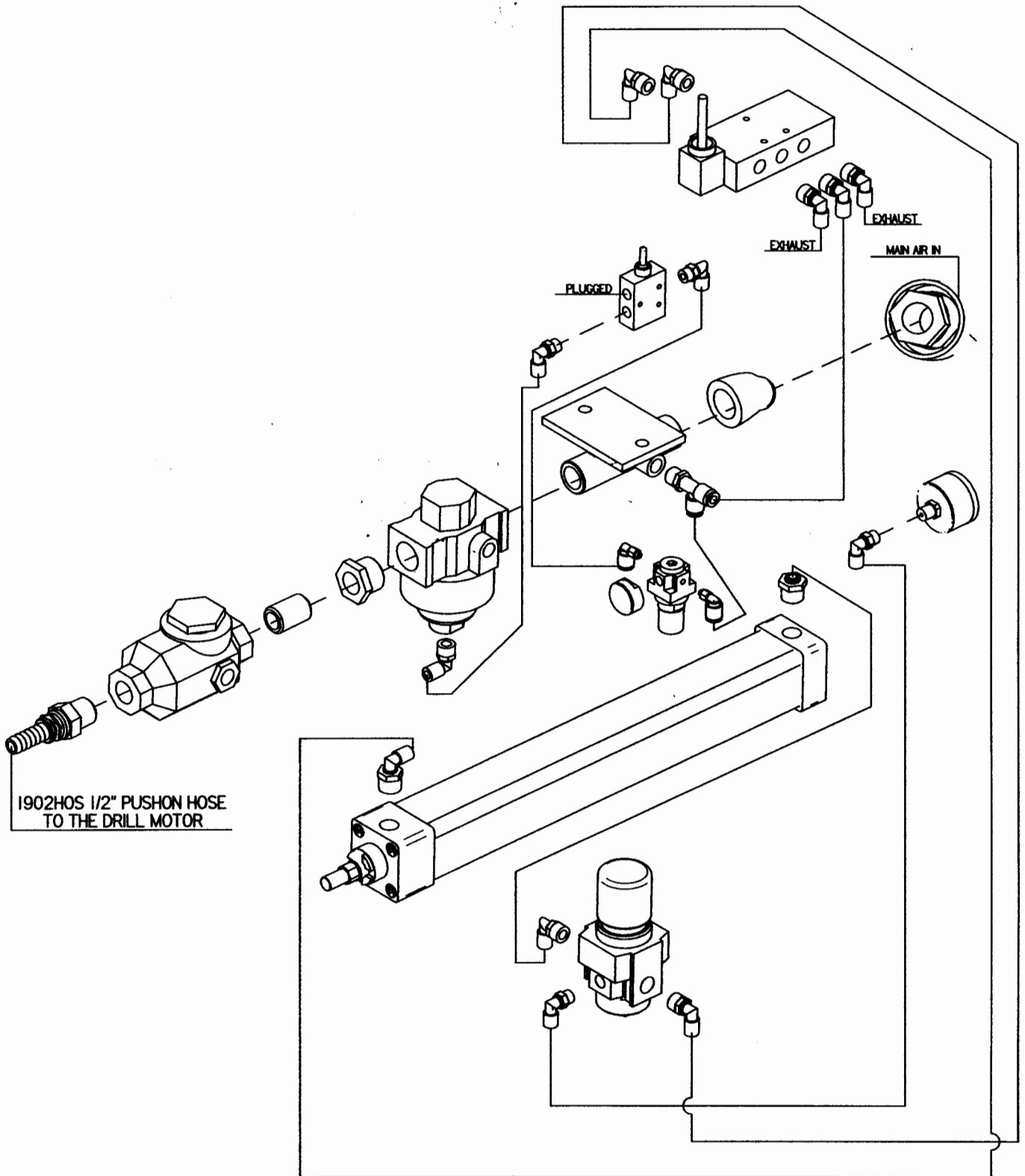
12" DRILL DEPTH CONTROL PANEL ASSEMBLY



12" DRILL DEPTH CONTROL PANEL ASSEMBLY

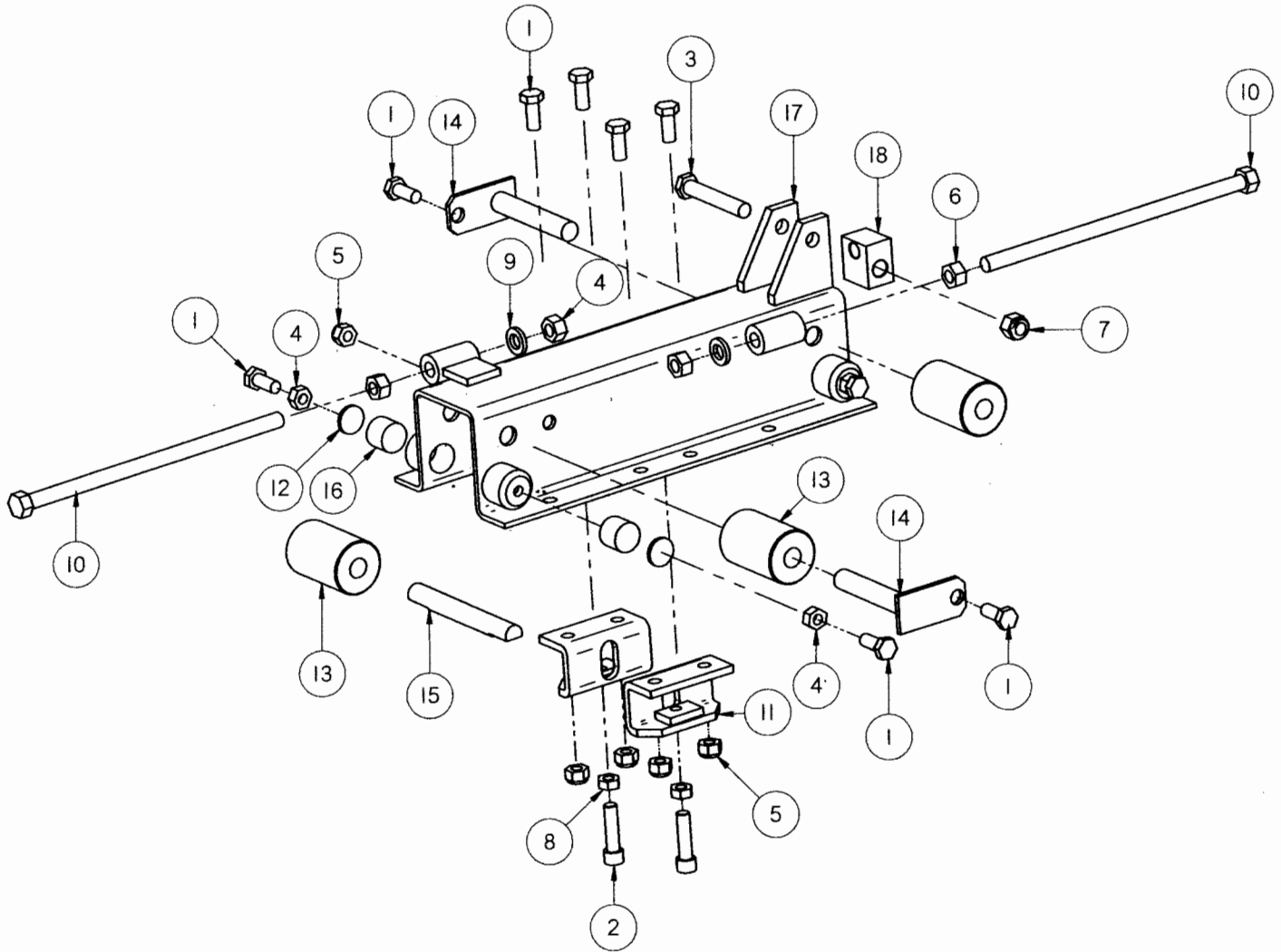
Item Number	File Name	Quantity	Description
1	05101CYL.asm	1	FEED CYLINDER I 1/2" X 13 1/2"
2	060102VAL.par	1	3 WAY POSITION VALVE WITH KNOB
3	06095VAL.par	1	TOGGLE SWITCH
4	08108REG.par	1	LOCK RING FOR 08108REG
5	08108REG.par	1	REGULATOR WITH 0-125 MAX PSI
6	08113REG.par	1	3/4" REGULATOR
7	0899REG.par	1	LOCK RING
8	0899REG.par	1	REGULATOR WITH LOCK RING
9	09022GAU.par	1	GAUGE 0-60 1/8" MPT
10	09024GAU.par	1	GAUGE 0-150 MAX PSI
11	16020IL.par	1	1/2" X 1/2 PINT OILER
12	17420IRPT.par	1	KNOB
13	1828GR0.par	1	RED BOOT FOR 06095VAL
14	2002FIT.par	1	1/2" HOSE SWIVEL
15	20090FIT.asm	1	3/4" AUTO LOCKING QUICK COUPLING
16	2035FIT.par	1	1/4" X 1/4" MALE RUN T
17	2050FIT.par	4	1/4" TO 1/8" 90 DEG. FITTING
18	2051FIT.par	8	1/4" TO 1/4" 90 DEG. FITTING
19	2052FIT.par	1	1/4" TO 3/8" 90 DEG. FITTING
20	2068FIT.par	1	1/4" TO 3/8" MALE CONN. FITTING
21	20754FIT.par	2	1/4" TO 10/32" 90 DEG. FITTING
22	20770PFT.par	1	3/4" X 1/2" BUSHING
23	2111PFT.par	1	1/2" X 1" NIPPLE
24	2148PFT.par	1	3/4" 45 DEG. STREET ELL
25	2478BLT.par	3	8/32" X 1 1/2" BOLT
26	2502BLT.par	2	1/4" X 1/2" BOLT
27	2519BLT.par	4	5/16" X 3/4" BOLT
28	2547BLT.par	1	3/8" X 3" BOLT
29	2712NUT.par	3	8/32" NYLON LOCK NUT
30	2719NUT.par	3	5/16" NYLON LOCK NUT
31	2727NUT.par	1	3/8" LOCKNUT
32	2802WAS.par	2	1/4" LOCK WASHER
33	MFA06371.par	1	REAR CYLINDER BRACKET
34	MFA0677.par	1	MANIFOLD
35	SRUI3460.psm	1	VALVE SPACER

CONTROL PANEL SCHEMATIC



ALL THE TUBING IS 1903HOS 1/4" BLACK

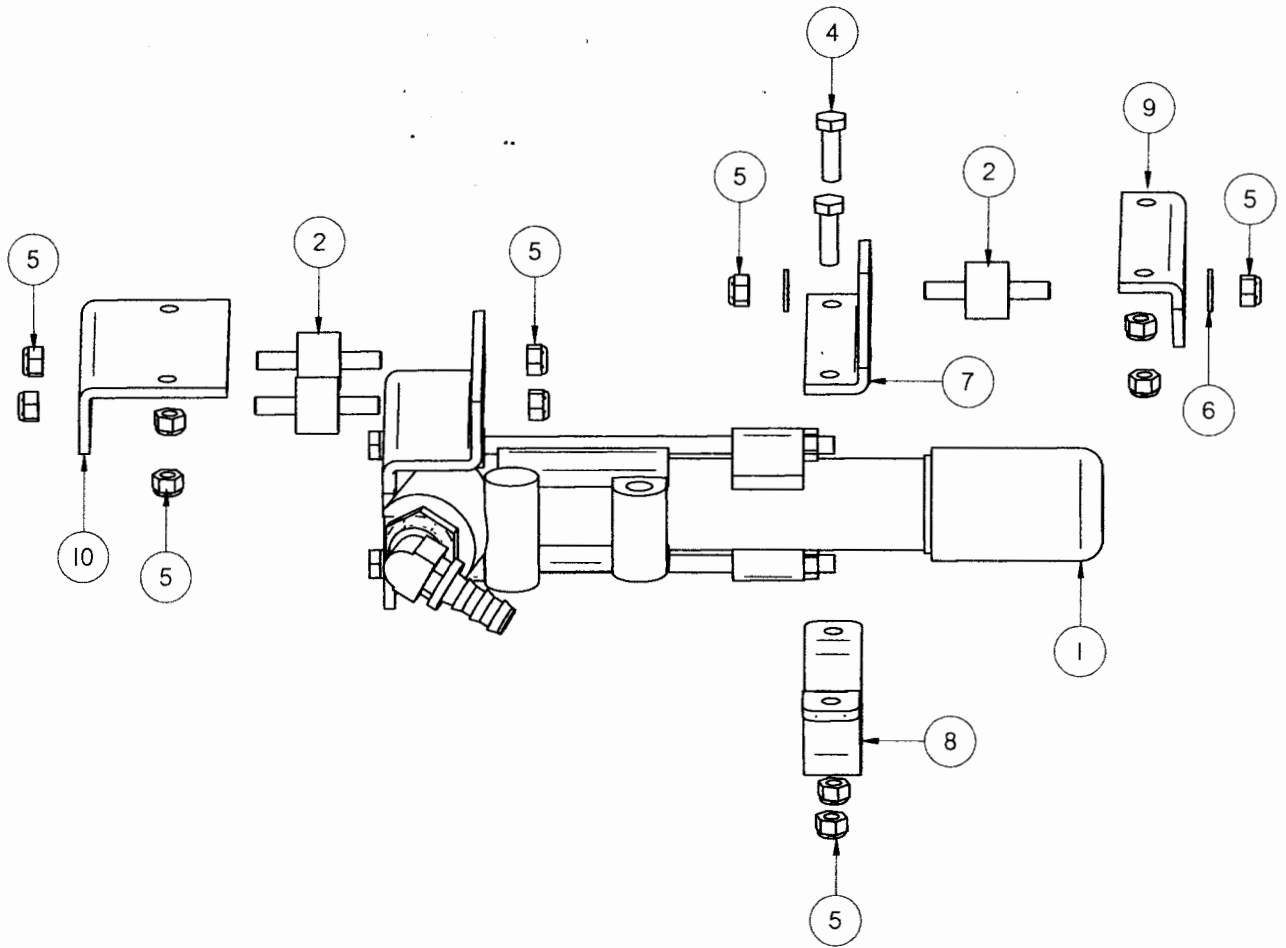
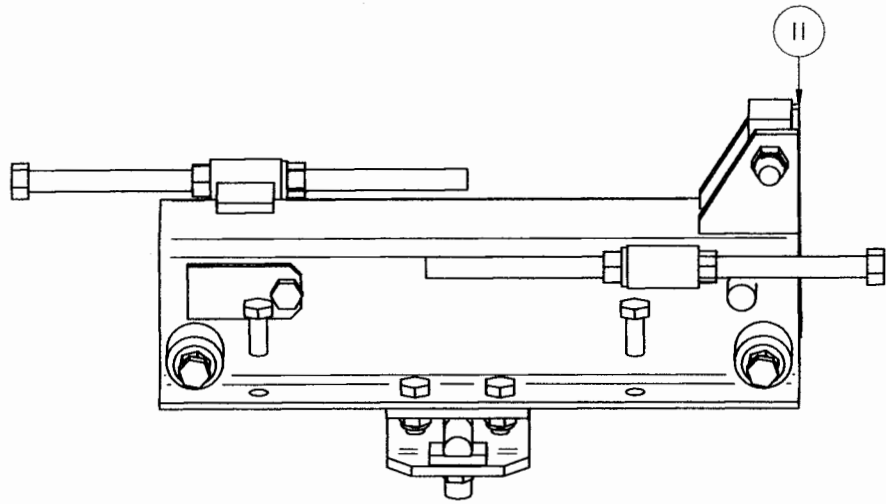
CARRIAGE ASSEMBLY



CARRIAGE ASSEMBLY

Item Number	File Name	Quantity	Description
1	2519BLT.par	9	5/16" X 3/4" BOLT
2	25420BLT.par	2	3/8" X 1 1/4" SHCS
3	2545BLT.par	1	3/8" X 2 1/4" BOLT
4	2717NUT.par	3	5/16" STANDARD NUT
5	2719NUT.par	5	5/16" NYLON LOCK NUT
6	2725NUT.par	4	3/8" STANDARD NUT
7	2727NUT.par	1	3/8" LOCKNUT
8	276912NUT.par	2	5/16" JAM NUT
9	2821WAS.par	2	3/8" LOCK WASHER
10	CRA0205.par	2	STOP ROD
11	CRA0225.par	2	ADJUSTABLE LOWER BEARING BRACKET
12	CRA0231.par	2	NYLON SLIDE BACKING
13	CRA0232.par	3	ROLLER BEARIN DRUM
14	CRA02340.par	2	AXLE
15	CRA02341.par	1	ROLLER BEARING AXLE
16	CRA02347.par	2	NYLON SLIDE PAD
17	CRG0106.par	1	CARRIAGE MODEL 65
18	MFA0640.par	1	CYLINDER CLEVIS

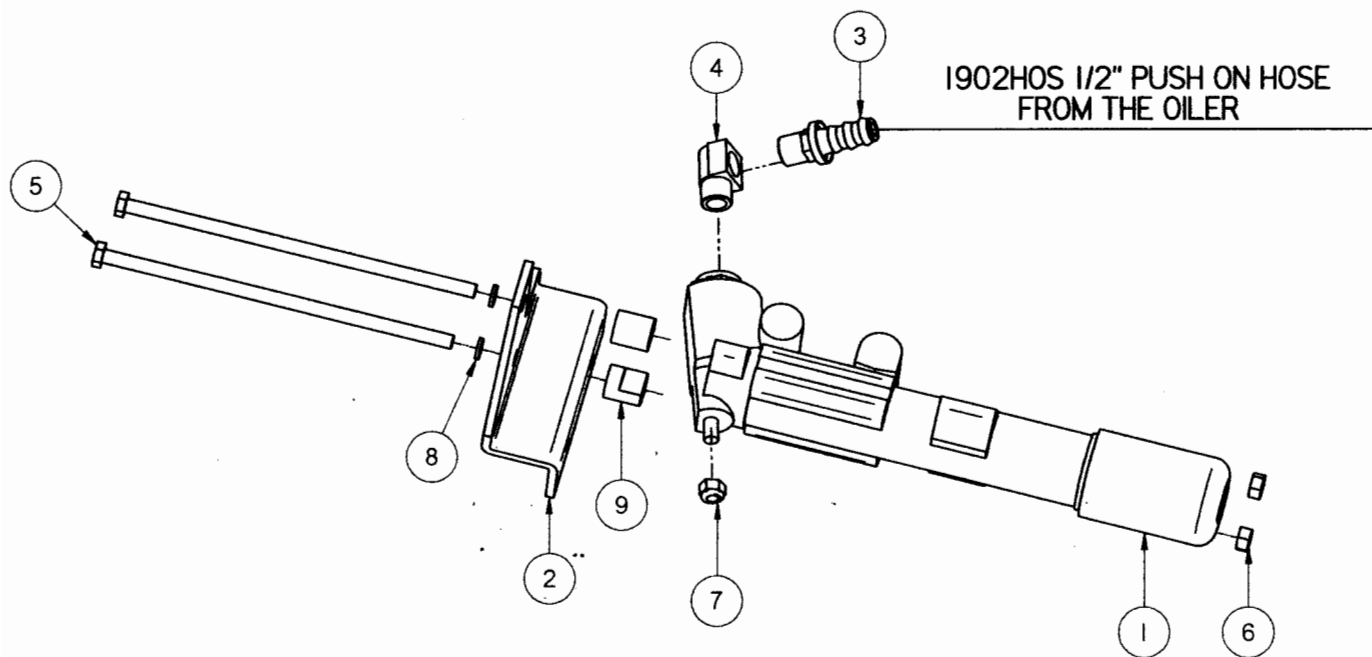
DRILL MOTOR ASSEMBLY



DRILL MOTOR ASSEMBLY

Item Number	File Name	Quantity	Description
1	0104DRL.asm	1	MOD. 65 DRILL MOTOR
2*	182IGRO.par	3	RUBBER ISOLATER
3*	2519BLT.par	2	5/16" X 3/4" BOLT
4*	2520BLT.par	2	5/16" X 1" BOLT
5	2719NUT.par	12	5/16" NYLON LOCK NUT
6*	280IWAS.par	2	1/4" FLAT WASHER
7	CRA0220.par	1	UPPER DRILL SADDLE BRACKET
8	CRA0221.par	1	LOWER DRILL SADDLE BRACKET
9*	CRA0222.par	1	FRONT ISOLATER BRACKET
10	CRA0223.par	1	REAR ISOLATER BRACKET
11	CRG0106.asm	1	MOD. 65 CARRIAGE ASSEMBLY

DRILL MOTOR ASSEMBLY



Item Number	File Name	Quantity	Description
1	0104DRL.par	1	CP 9 MOD. 65 DRILL MOTOR
2	0104DRLMT.par	1	MOUNT FOR 0104DRL
3	20020FIT.par	1	1/2" HOSE TO 3/8" PIPE FITTING
4	2158PFT.par	1	3/8" STRAIGHT BRASS STREET ELBOW
5	2535BLT.par	2	5/16" X 8" FINE THREAD BOLT
6	2718NUT.par	2	5/16" FINE THREAD LOCK NUT
7	2719NUT.par	1	5/16" NYLON LOCK NUT
8	2810WAS.par	2	5/16" LOCK WASHER
9	MFA0645.par	2	THRU BOLT SPACER