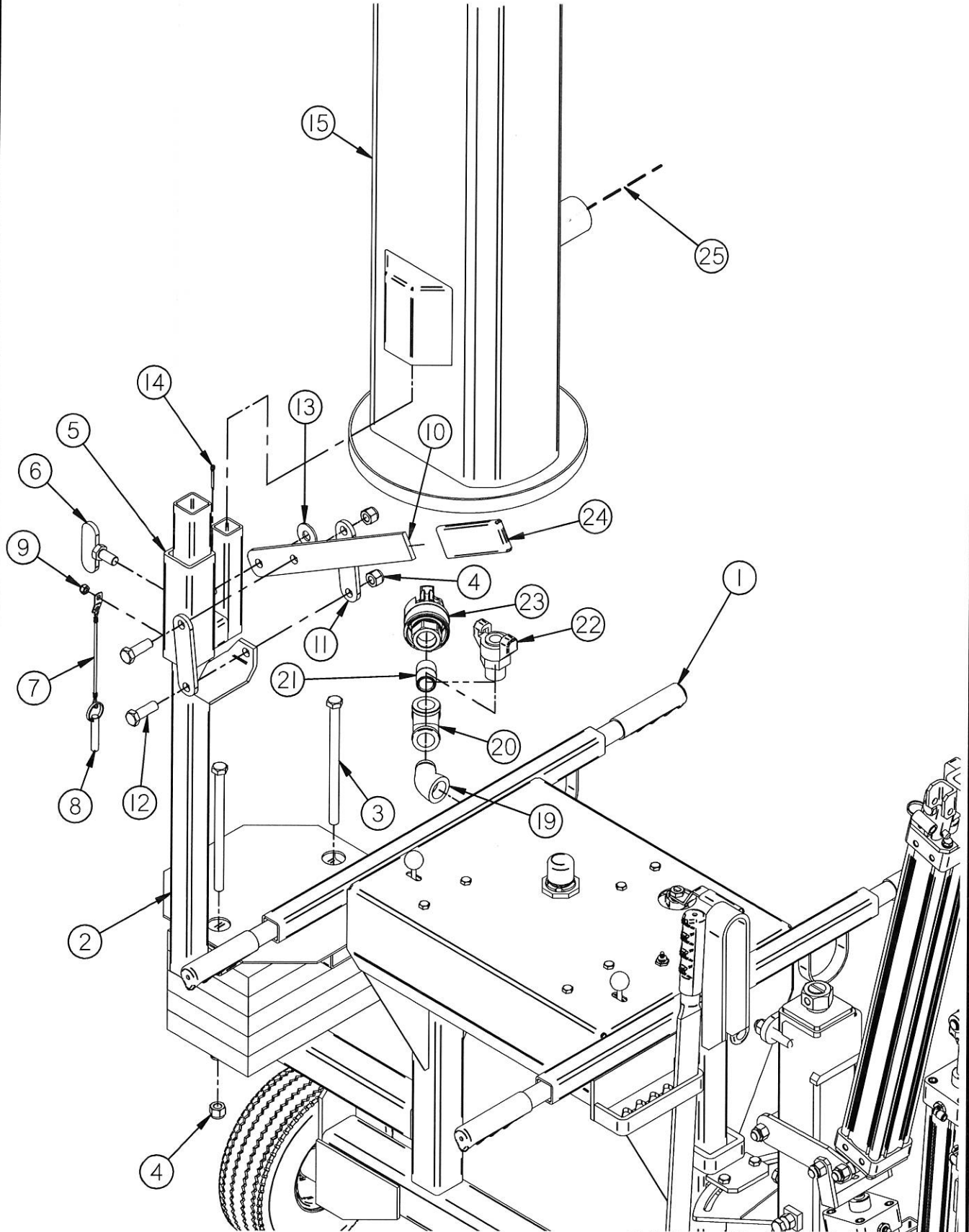
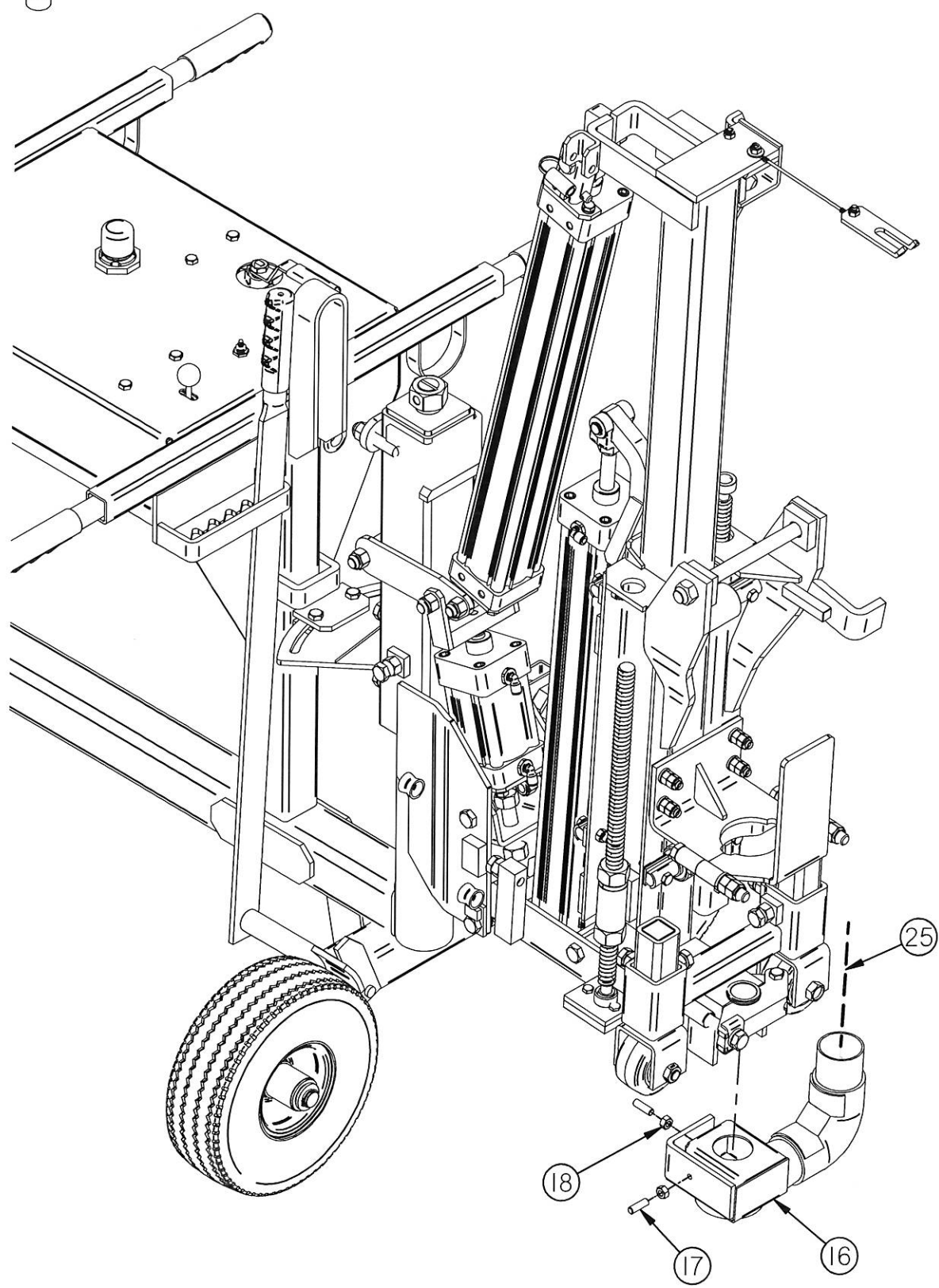


210B-SRA VACUUM SYSTEM ASSEMBLY - PAGE 01



210B-SRA VACUUM SYSTEM ASSEMBLY - PAGE 02



## 210B-SRA VACUUM SYSTEM ASSEMBLY - PAGE 03

| Item No. | Part No.  | Quantity | Description                              |
|----------|-----------|----------|--|
| 1        | 81406FNG  | 1        | 210B SRA DRILL                           |
| 2        | MFA069931 | 1        | DUST COLLECTION FRAME 210B               |
| 3        | 2580BLT   | 2        | 1/2" NC X 7.50" HX HD BOLT               |
| 4        | 2734NUT   | 4        | 1/2" NC NYLON INSERT LOCKNUT             |
| 5        | MFA069902 | 1        | ADAPTER - LIFTING BALE - DUST COLLECTION |
| 6        | MFA069903 | 1        | SET SCREW - DUST COLLECTION              |
| 7        | 303IPIN   | 1        | LANYARD W/TAB ONE END                    |
| 8        | 3029PIN   | 1        | LOCK PIN                                 |
| 9        | 2716NUT   | 1        | 1/4" NC NYLON LOCK NUT                   |
| 10       | MFA069904 | 1        | RAISE/LOWER LEVER - DUST COLLECTION      |
| 11       | MFA069906 | 2        | FRAME CLAMP LONG                         |
| 12       | 2562 BLT  | 2        | 1/2" NC X 1.50" HX HD TAP BOLT           |
| 13       | 2830 WAS  | 1        | 1/2" STD. FLAT WASHER                    |
| 14       | 30221 PIN | 1        | 1/8" X 1-1/4" COTTER PIN                 |
| 15       | 9695MIS   | 1        | MICRO VACUUM                             |
| 16       | MFA069913 | 1        | DUST COLLECTOR HEAD                      |
| 17       | 2521 BLT  | 2        | 5/16-18 X 1" SET SCREW                   |
| 18       | 2717 NUT  | 2        | 5/16 UNC HEX NUT ( ZP, GR. 5 )           |
| 19       | 2148PFT   | 1        | 3/4" 45 DEG. STREET ELL                  |
| 20       | 2103PFT   | 1        | 3/4" PIPE TEE                            |
| 21       | 2114PFT   | 1        | 3/4" X 1 1/2" NIPPLE                     |
| 22       | 2006FIT   | 1        | 3/4" MALE PIPE TO QUICK COUPLER          |
| 23       | 20090 FIT | 1        | COUPLING ( 3/4" NPT )                    |
| 24       | 18206GRO  | 1        | LEVER GRIP                               |
| 25*      | 19255 HOS | 1        | 2" VACUUM HOSE                           |