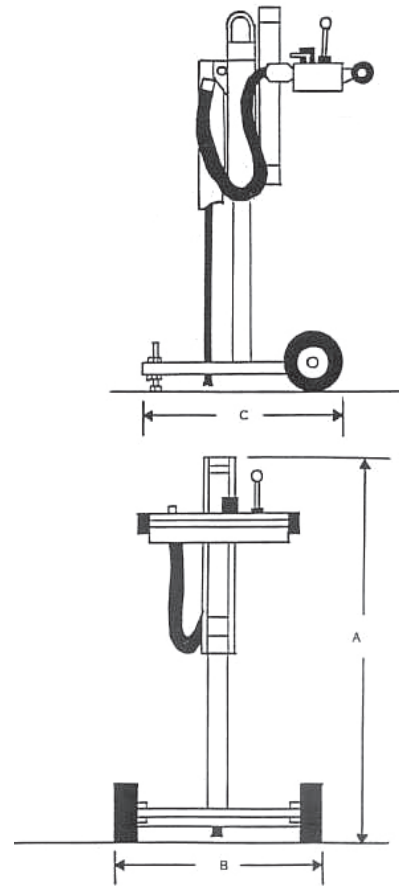


**Specifications >>****Model 20 UTL****Vertical Position >>**

Lower Length (C)	32 1/2" (82.6 cm)
Wheel Base (B)	29" (73.7 cm)
Height (A)	50" (127.0 cm)
Weight	207 lbs (94.0 kg)
Drill distance from corner	N/A
Drill distance from ground	N/A
Drill depth (std.)	18" (45.7 cm)
Drill bit diameter	5/8" to 2 1/2" (15.9 mm to 63.5 mm)
Drill motor (pneumatic)	CP 32A
Weight	54 lbs (24.5 kg)
Chuck size (std.)	7/8" x 3 1/4" (22.2 mm x 82.6 mm)
Air consumption (minimum)	100 cfm (2.8 m3/min)
Operating pressure	90 psi (6.2 bar)
Impact (ft. lbs./blow)	36 fpb (49.0 J)
Blows/minute	2200 bpm
Rotations/minute	288 rpm

\*Specifications subject to change without notice.