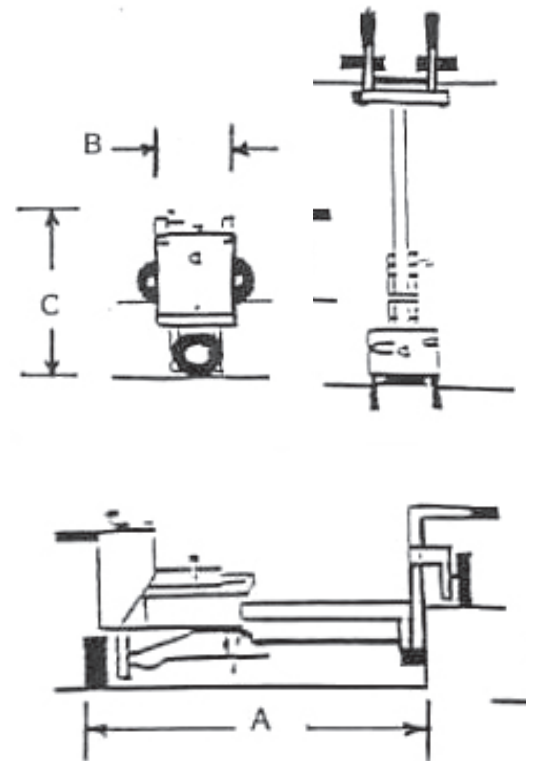


Specifications >>

Model 210B



	Horizontal Position >>	Vertical Position >>
Lower Length (A)	51 3/8" (130.5 cm)	24 1/2" (62.2 cm)
Lower Length w/ back wheel removed	46" (116.8 cm)	N/A
Width (B)	12" (30.5 cm)	30" (76.2 cm)
Height (C)	30" (76.2 cm)	56" (142.2 cm)
Weight	285 lbs (129.4 kg)	
Drill distance from corner	6" (15.2 cm)	3" (7.6 cm)
Drill distance from ground	3" (7.6 cm)	up to 12" (30.5 cm)
Drill depth (std.)	18" (45.7 cm)	
Drill bit diameter	5/8" to 2 1/2" (15.9 mm to 63.5 mm)	
Drill motor (pneumatic)	CP 32A	
Weight	54 lbs (24.5 kg)	
Chuck size (std.)	7/8" x 3 1/4" (22.2 mm x 82.6 mm)	
Air consumption (minimum)	100 cfm (2.8m3/min)	
Operating pressure	90 psi (6.2 bar)	
Impact (ft. lbs./blow)	36 fpb (49.0 J)	
Blows/minute	2200 bpm	
Rotations/minute	288 rpm	

*Specifications subject to change without notice.