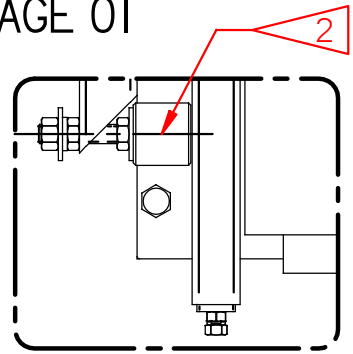


210B-2SRA QMP VACUUM SYSTEM ASSEMBLY - PAGE 01

1) ADJUST MFA069938Q (#8)
TO BUCKET HEIGHT

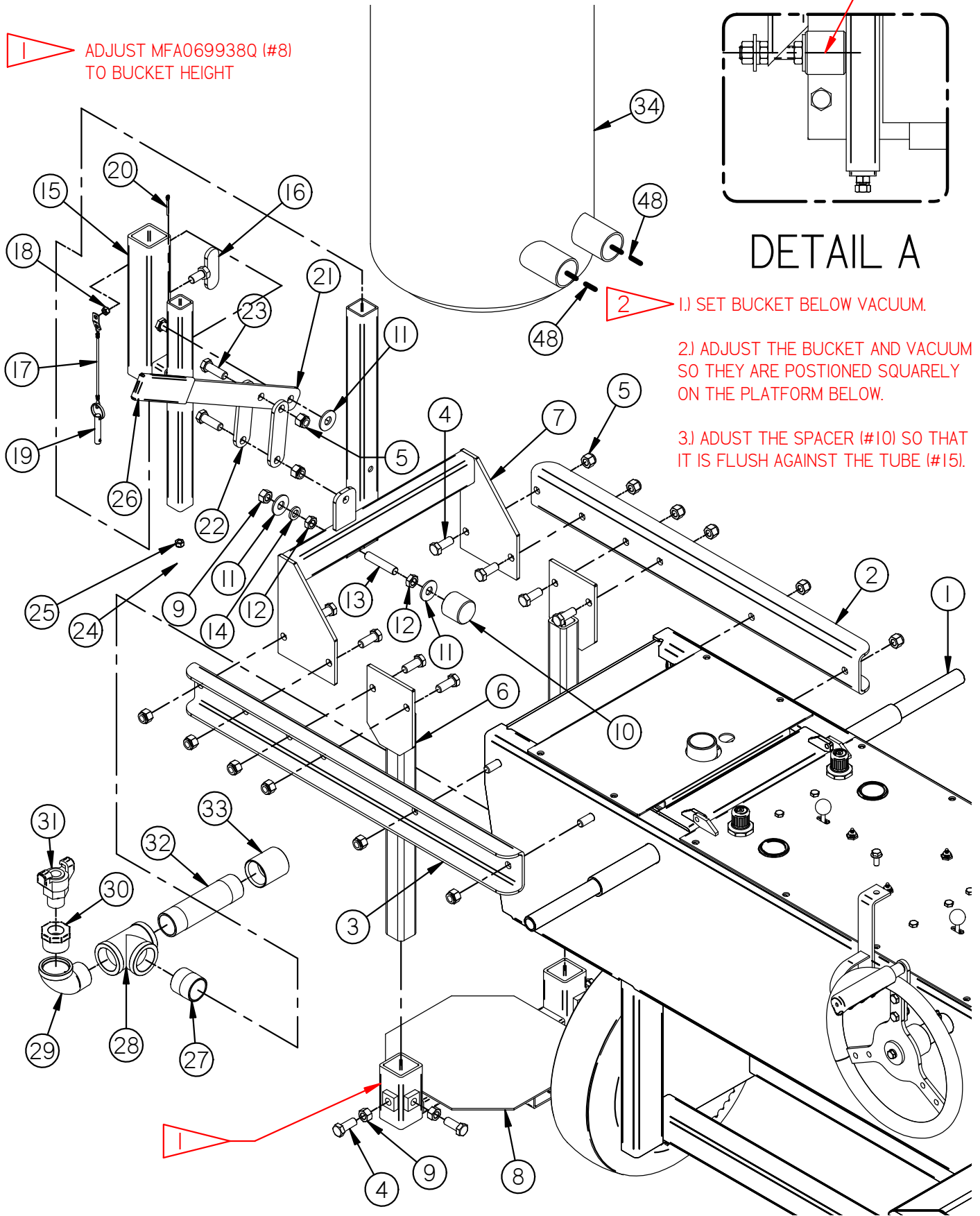


DETAIL A

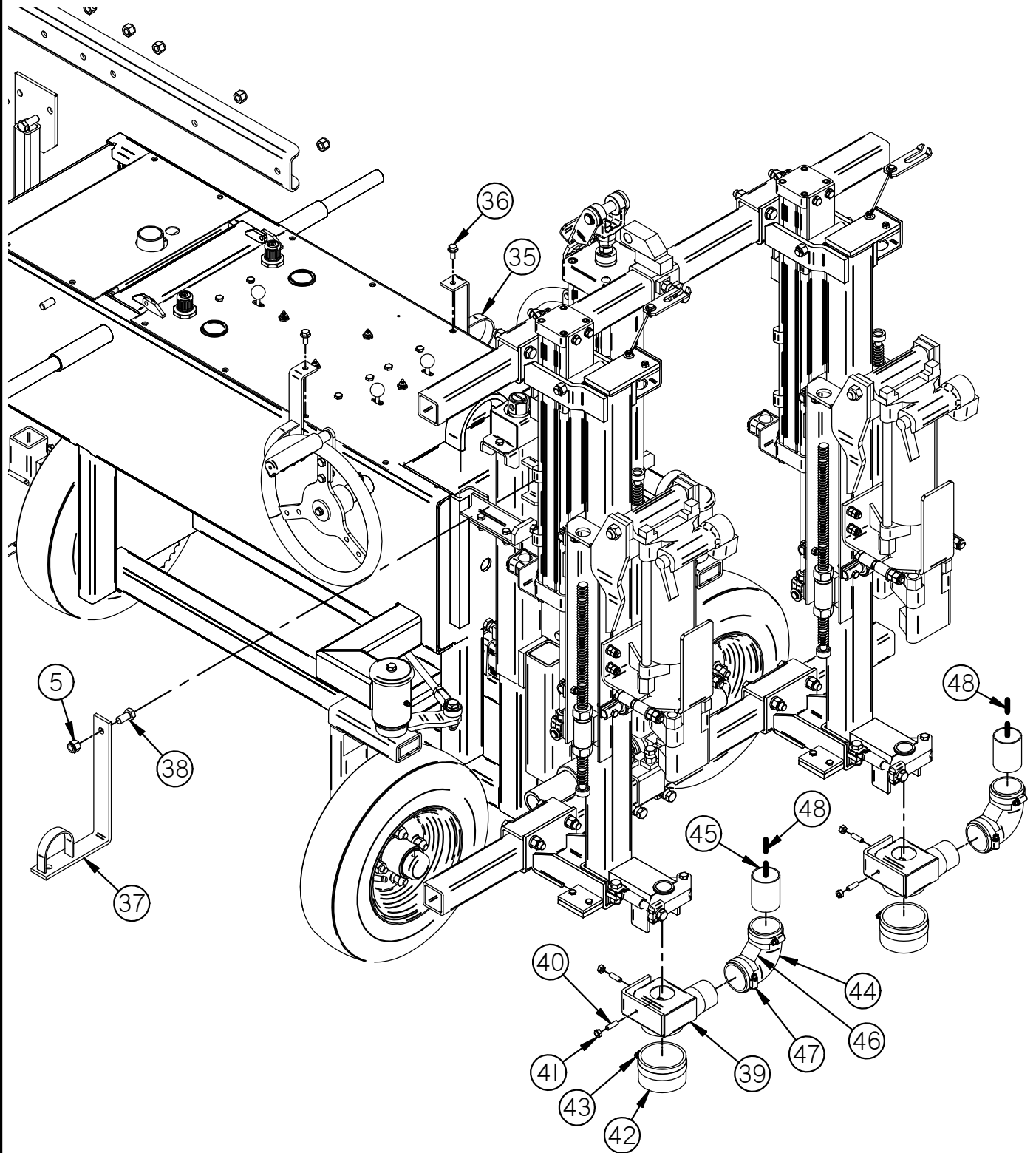
2) 1.) SET BUCKET BELOW VACUUM.

2) ADJUST THE BUCKET AND VACUUM
SO THEY ARE POSITIONED SQUARELY
ON THE PLATFORM BELOW.

3) ADJUST THE SPACER (#10) SO THAT
IT IS FLUSH AGAINST THE TUBE (#15).



210B-2SRA QMP VACUUM SYSTEM ASSEMBLY - PAGE 02



210B-2SRA QMP VACUUM SYSTEM ASSEMBLY - PAGE 03

Item No.	Part No.	Quantity	Description
1	FNG814300	1	210B-2 SRA (2-GANG DRILL)
2	MFA069934Q_01	1	MOD 210B-2 SRA LEFT ARM (QMP)
3	MFA069935Q_01	1	MOD 210B-2 SRA RIGHT ARM (QMP)
4	2560BLT	16	1/2" NC X 1.25" HX HD BOLT
5	2734NUT	16	1/2" NC NYLON INSERT LOCKNUT
6	MFA069936Q	2	210B-2 SRA QMP VAC SYSTEM LEG
7	MFA069937Q	1	QMP SLIDE RECEIVER
8	MFA069938Q	1	210B-2 SRA QMP VAC SYSTEM MT. PLT.
9	2732 NUT	5	1/2" NC STANDARD NUT
10	MFA06997Q	1	NYLON SPACER, QMP VAC SYSTEM
11	2830 WAS	3	1/2" STD. FLAT WASHER
12	27696 NUT	2	1/2" NF HEX JAM NUT (RT. HND.)
13	2564I BLT	1	1/2"-13 X 2.50" FULLY THREADED STUD
14	283IWAS	1	7/8" OD X 1/2" ID WASHER 10GA.
15	MFA069933Q	1	QMP VAC ADAPTER - (MOD 210B-2 SRA)
16	MFA069903	1	SET SCREW - DUST COLLECTION
17	3031PIN	1	LANYARD W/TAB ONE END
18	2716NUT	1	1/4" NC NYLON LOCK NUT
19	3029PIN	1	LOCK PIN
20	3022I PIN	1	1/8" X 1-1/4" COTTER PIN
21	MFA0699040	1	RAISE/LOWER LEVER - MACRO DUST COLLECTION
22	MFA069906	2	FRAME CLAMP LONG
23	2562 BLT	2	1/2" NC X 1.50" HX HD TAP BOLT
24	MFA0699700Q	1	QMP 2-PORT COLLECTOR MOUNTING BOLT
25	2719 NUT	1	5/16" NC NYLON INSERT LOCKNUT
26	18206GR0	1	LEVER GRIP
27	212701 PFT	1	1-1/4" CLOSE NIPPLE
28	2104 PFT	1	1-1/4" PIPE TEE
29	21600 PFT	1	1-1/4" STREET ELL
30	20780 PFT	1	1-1/4" TO 3/4" BUSHING
31	2006FIT	1	3/4" MALE PIPE TO QUICK COUPLER
32	21276 PFT	1	1-1/4" X 6" NIPPLE
33	21475 PFT	1	FULL COUPLING, 1-1/4NPT (STEEL)
34	96951Q MIS	1	MACRO QMP VACUUM
35	MFA06994	2	SMALL HOSE HOLDER (210B-2 SRA)

210B-2SRA QMP VACUUM SYSTEM ASSEMBLY - PAGE 04

Item No.	Part No.	Quantity	Description
36	25175 BLT	2	5/16 NC X .75" LG. HEX FLG HEAD BOLT
37	MFA06995	2	LARGE HOSE HOLDER (210B-2 SRA)
38	2559BLT	2	1/2" X 1" BOLT
39	MFA069913	2	DUST COLLECTOR HEAD
40	2521 BLT	4	5/16-18 X 1" SET SCREW
41	2717 NUT	4	5/16 UNC HEX NUT (ZP, GR. 5)
42	190406 HOS	2	3" COLLECTOR HOSE (2" LONG PIECE)
43	19503 CLP	2	WORM GEAR HOSE CLAMP (3 - 4")
44	19045 HOS	2	2" 90 DEG. SILICONE HOSE COUPLER
45	MFA069910_12	2	DUST HEAD ROUND TUBE
46	MFA069914	2	90 DEG. ELBOW CLAMP
47	195025 CLP	4	WORM GEAR HOSE CLAMP (1-1/2" - 2-1/2")
48*	19255 HOS	2	2" VACUUM HOSE